

B400.2

Хвостовики по ГОСТ 25827-93 исп. 3
Shanks GOST 25827-93 vers. 3

Код / Code	Рис./ Pic.	К	d	D	L	L ₁	L ₂	Кг/Kg
B400.2.40.035.S25	2	40	25	50	35	18	147	1,10
B400.2.40.100.S25	2	40	25	50	100	18	211	2,10
B400.2.50.075.S25	2	50	25	50	75	18	220	3,40
B400.2.50.150.S25	2	50	25	50	150	18	295	4,30
B400.2.40.050.S32	1	40	32	63	50	20	164	1,50
B400.2.40.120.S32	1	40	32	63	120	20	233	3,20
B400.2.50.085.S32	2	50	32	63	85	20	232	4,10
B400.2.50.160.S32	2	50	32	63	160	20	307	6,00
B400.2.40.050.S40	1	40	40	80	50	24	168	1,90
B400.2.50.090.S40	2	50	40	80	90	24	241	5,40
B400.2.50.170.S40	2	50	40	80	170	24	321	8,50
B400.2.50.250.S40	2	50	40	80	250	24	401	11,50
B400.2.50.050.S48	2	50	48	80	50	30	207	4,10
B400.2.50.100.S48	2	50	48	80	100	30	257	6,00
B400.2.50.150.S48	2	50	48	80	150	30	307	7,80
B400.2.50.200.S48	2	50	48	80	200	30	357	9,60
B400.2.50.050.S60	1	50	60	92	50	32	209	4,60



Рис. 1
Pic. 1

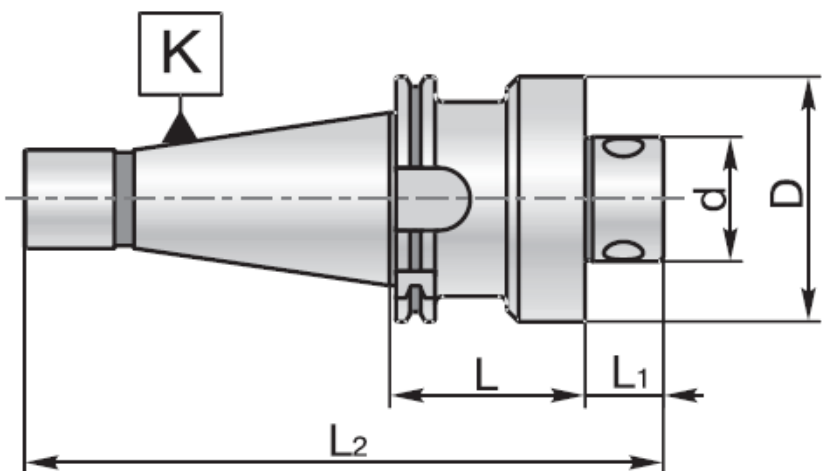


Рис. 2
Pic. 2

